

重負荷
Heavy duty

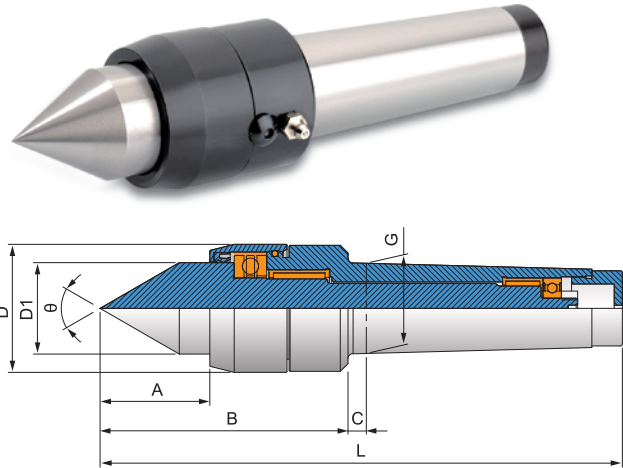
回轉式系列
Live centers series

➤ TSC-662 SERIES

強力回轉頂針

HEAVY DUTY STRONG LIVE CENTER

- ◎ 適用: CNC車床、高速車床及滾齒機。
Application CNC lathe, high speed lathe, gear hobbing machine
- ◎ 用途: 適用高推力強力車削加工。
Working Usage Applicable for high pushing force strong turning process
- ◎ 結構: 止推軸承加大推力設計, 載重前後採用針狀軸承設計製成。
Structure Combination of thrust bearing with enhanced axial load design and needle bearing at front and rear place for radial load
- ◎ 精準度: 0.002以內
TIR Less than 0.002mm



規格 / Specification 單位/UNIT: mm

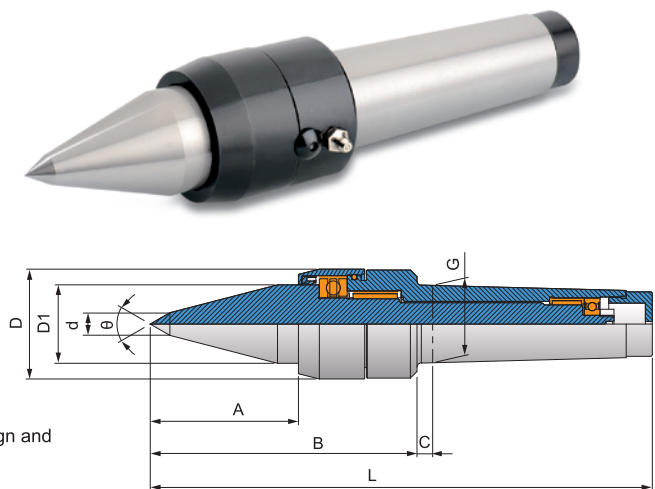
型式/外表尺寸 Model/Spec	A	B	C	D	D1	G	L	θ	軸承最高轉數 Max. RPM	軸承徑向力 (載重) Max. radial load	軸承軸向力 (推力) Max. axial thrust force
TSC-662-3	42	99	8	58	34.8	23.825(MT3)	186	60°	3,500 rpm	1,960 kg	1,750kg
TSC-662-4	54	122	9	63	44.8	31.267(MT4)	230	60°	3,500 rpm	2,800 kg	2,150kg
TSC-662-5	54	122	9	63	44.8	44.399(MT5)	257	60°	3,500 rpm	3,080 kg	2,150kg

➤ TSC-663 SERIES

強力細長型回轉頂針

HEAVY DUTY STRONG LONG NOSE LIVE CENTER

- ◎ 適用: CNC車床、高速車床及滾齒機。
Application CNC lathe, high speed lathe, gear hobbing machine
- ◎ 用途: 適用高推力強力車削加工(細長型車削加工)。
Working Usage Applicable for high pushing force strong turning process, and slender workpiece turning process
- ◎ 結構: 止推軸承加大推力設計, 載重前後採用針狀軸承設計製成。
Structure Combination of thrust bearing with enhanced axial load design and needle bearing at front and rear place for radial load
- ◎ 精準度: 0.002以內
TIR Less than 0.002mm



規格 / Specification 單位/UNIT: mm

型式/外表尺寸 Model/Spec	A	B	C	D	D1	d	G	L	θ	軸承最高轉數 Max. RPM	軸承徑向力 (載重) Max. radial load	軸承軸向力 (推力) Max. axial thrust force
TSC-663-5	75	143	9	63	44.8	12	44.399(MT5)	278	60°	3,500 rpm	3,080 kg	2,150kg