

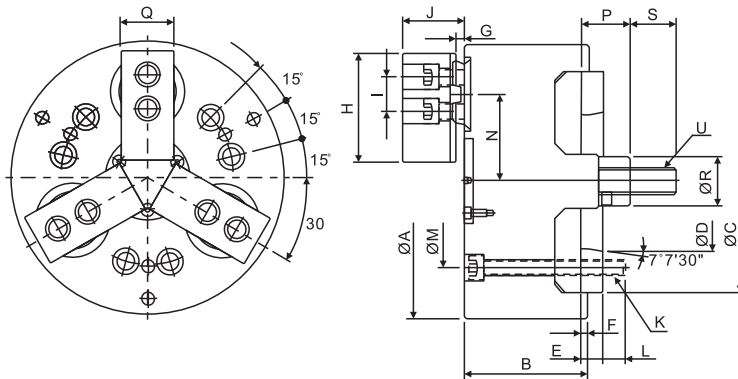
➤ PL SERIES

後拉式油壓夾頭

PULL BACK POWER CHUCKS

後拉式油壓夾頭作徑向夾持同時強力後拉，工件不會上浮，適用於鑄件及鍛件的加工。

- ◎ 後拉式夾持將工件緊貼在基準面上，使夾持穩固，適于重切削。
- ◎ 圓柱滑動結構，可長期使用，并確保重複夾持的優異精度。
- ◎ 準確的自定中心及強力夾持工件不上浮特性，要求長度精準的加工最適宜。
- ◎ 可採用到位偵測，配合自動化系統。



Pull back feature of radial gripping will lead to almost no work piece uplifting displacement; OMATEI Pull Back Power Chucks are ideal for machining casting and forging parts;

- ◎ By appressing the gripped work piece to the surface, OMATEI Pull Back Power Chucks are suitable for heavy machining.
- ◎ Chuck Actuators with cylindrical structure are durable and ensures high gripping repeatability.
- ◎ Accurate self-centering and pull back features are adequate for precise length control machining requirements.
- ◎ Optional components can be selected for detecting the right position on an automated loading machine.

規格 Spec 型號 Model	A	B	C	D	E	F	Gmax	Gmin	H	Jmax	Jmin
PL-06	169	83	140	82.563	15	5	15	5	70	46	36
PL-08	210	97	170	106.375	17	5	16.5	6.5	84	57	47
PL-10	254	110	220	139.719	18	5	22	6	100	68	52
PL-12	304	125	220	139.719	18	5	21.5	5.5	120	72.5	56.5

規格 Spec 型號 Model	I	K	L	M	Nmax	Nmin	Pmax	Pmin	Q	R
PL-06	-	6-M10x1.5P	14	104.8	56.65	54	33	23	35	32
PL-08	26	6-M12x1.75P	17	133.4	69.65	67	38	28	40	38
PL-10	32	6-M16x2P	24	171.4	87.8	82	48	32	50	50
PL-12	36	6-M16x2P	20	171.4	102.8	97	47	31	60	52

規格 Spec 型號 Model	S	U	柱塞行程 Plunger stroke (mm)	爪行程 (直徑) Jaw stroke (Diameter) (mm)	最高回轉速 max r.p.m	最大拉力 Max. pull force kgf (KN)
PL-06	36	M16x2P	10	5.3	3500	1420(14)
PL-08	36	M20x2.5P	10	5.3	3000	2240(22)
PL-10	46	M24x3P	16	11.6	2500	3160(31)
PL-12	50	M27x3P	16	11.6	2000	4480(44)

規格 Spec 型號 Model	最大靜夾持力 Max. gripping force kgf (KN)	最大設定油壓壓力 Max. hydr. pressure kgf/cm ² (Mpa)	淨重 (kg) Weight	搭配油壓缸型號 Matching cylinder	夾持範圍 Gripping range (mm)
PL-06	2950(29)	22(2.2)	15.4	S-100(S-100R)	Ø35-Ø160
PL-08	4890(48)	22(2.2)	27.8	S-125(S-125R)	Ø40-Ø210
PL-10	4990(49)	30(2.9)	45.9	S-125(S-125R)	Ø50-Ø254
PL-12	7240(71)	30(2.9)	75.7	S-150(S-150R)	Ø50-Ø304

* 保留技術更改的權利，恕不另行通知 Subject to technology changes without prior information
 * 非標需求可訂做 Non-standard requirements can be made

