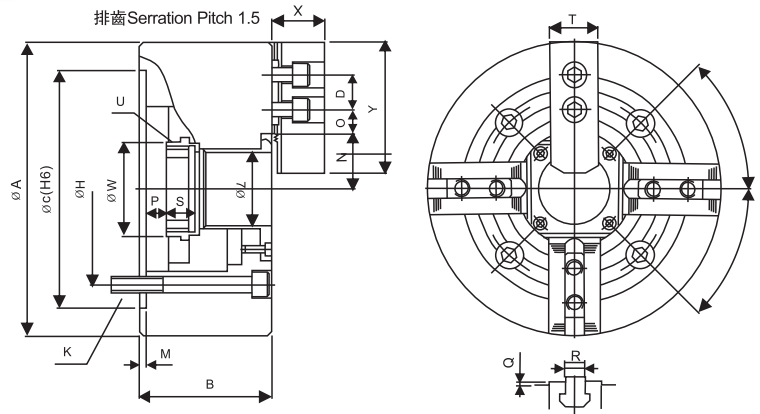


> NIT-200 SERIES

四爪中空油壓夾頭 (不含連接板)

4-JAW WEDGE TYPE THROUGH-HOLE POWER CHUCK



- ◎ 1. NIT200型夾頭採用高級合金鋼材質，所有滑動面經表面硬化及研磨處理，以提高回轉精度及耐久性。潤滑嘴位于基爪。
- ◎ 2. 基爪：1.5mmx60° 鋸齒狀缺口。
- ◎ 3. 安裝：配合件直接安裝并符合DIN,BS,ISO,ASA,B5-9, A型之主軸標準。
- ◎ 4-jaw through-hole power chuck (adapter excluded)
- ◎ All sliding surfaces are hardened and ground for accurate actual running and long service repeatability. Lubrication nipple in each master jaw.
- ◎ Master jaw : 1.5mm x 60° serration.
- ◎ Mounting : Adaptor mounting to fit with DIN, ISO, BS, ASA B5.9 type A spindles.

型式 Model	通孔直徑 Through hole dia (mm)	柱塞行程 Piston stroke (mm)	爪行程(直徑) Jaw stroke dia (mm)	最大拉杆推力 Max DB pull (kgf)	最大夾持力 Max clamping force (Kgf)	最大使用壓力 Max. Operating Pressure MPa(kgf/cm2)	最高回轉速 max r.p.m	重量 Weight (kg)	慣性矩 kg·m2	適合油壓缸 Matched cylinders	適合生爪 Matched HC	適合硬爪 Matched HJ	外徑夾持範圍 Clamping range (mm)
NIT-206	Ø45	12	5.5	2243	5812	28.5	4500	13.7	0.058	M1246	HC06	HJ06	Ø15-Ø169
NIT-208	Ø52	16	7.4	3558	9075	26.5	3600	24	0.177	M1552	HC08	HJ08	Ø20-Ø210
NIT-210	Ø75	19	8.8	4385	11319	27.5	3200	36	0.324	M1875	HC10	HJ10	Ø25-Ø254
NIT-212	Ø91	23	10.6	5812	14990	27.5	2700	58.5	0.763	M2091	HC12	HJ12	Ø30-Ø304
NIT-215	Ø117.5	23	10.6	7240	18355	23.5	1900	114	2.331	M2511	HC15	HJ15	Ø60-Ø381
NIT-218	Ø117.5	23	10.6	7240	18355	23.5	1500	122	3.2	M2511	HC15	HJ15	Ø60-Ø381
NIT-224	Ø205	26	12	9177	23861	26.5	1000	264	14.5	M13320	HC24-1	HJ24-1	Ø150-Ø610

型式 Model	A	B	C (H6)	D	H	J	K	L	M	N max	O max	O min	p max	p min	Q	R	S	T	U max	W	X	Y
NIT-206	169	81	140	20	104.78	16	4-M10×80	45	5	32	22.75	9.25	11	-1	2	12	19	31	M55×2	60	37	73
NIT-208	210	91	170	25	133.35	20	4-M12×90	52	5	38.7	29.75	14.75	14.5	-1.5	2	14	20.5	35	M60×2	66	38	95
NIT-210	254	100	220	30	171.45	22	4-M16×100	75	6	51	33.75	14.25	8.5	-10.5	2	16	25	40	M85×2	94	43	110
NIT-212	304	110	220	30	171.45	23	4-M16×110	91	6	61.3	45.75	15.75	8	-15	2	21	28	50	M100×2	108	51	130
NIT-215	381	133	300	43	235	35	4-M20×135	117.5	6	82	45.25	16.75	7	-16	5	22	43	62	M130×2	139	66	165
NIT-218	450	133	300	43	235	35	4-M20×135	117.5	6	82	79.75	16.75	7	-16	5	22	43	62	M130×2	139	66	165
NIT-224	610	147	520	60	463.5	35	8-M24×150	205	6	139.9	87.5	24.5	16	-10	5	25	38	65	M215×3	230	73	180

* 保留技術更改的權利，恕不另行通知 Subject to technology changes without prior information
 * 非標需求可訂做 Non-standard requirements can be made