

### > CRA SERIES

#### 筒夾夾頭

#### COLLET CHUCKS FOR SHORT TAPER MOUNT



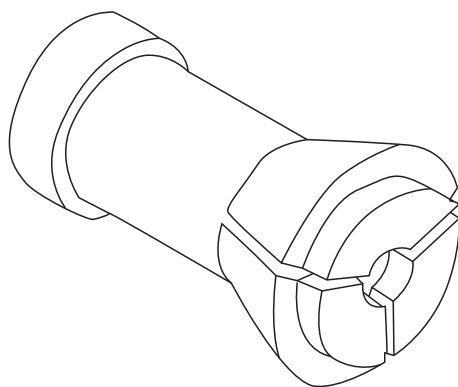
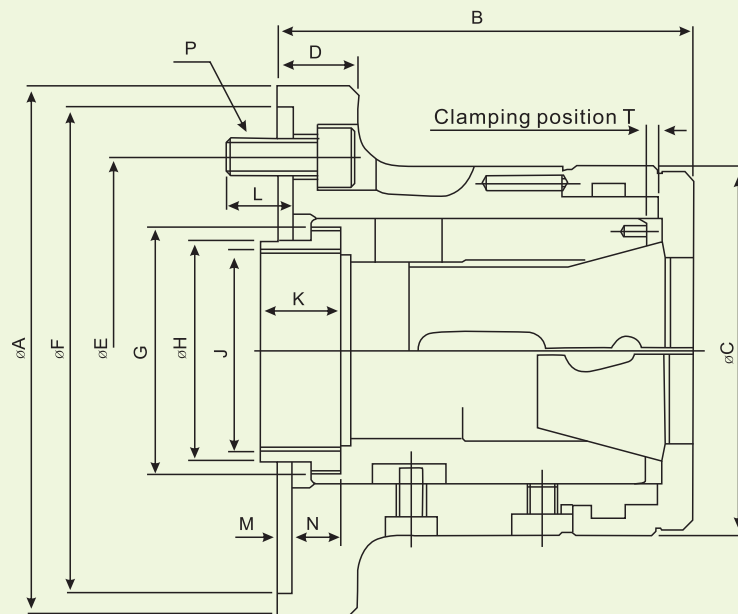
- ◎ 1.筒夾夾頭可快速拆卸止檔蓄，適用於NC/CNC車床加工棒材。
- ◎ 2.棒材能經由夾頭通孔進行送料作業。
- ◎ 3.可依工作形狀及尺寸來選擇適合的筒夾。
- ◎ Collet chucks with bayonet catch are mainly used for chucking bar work on NC / CNC lathes.
- ◎ The bar can be fed in through the chuck.
- ◎ Profiles can also be chucked with the appropriate collets.

型式 Model	適合主軸 Matched spindle	容許棒材直徑(mm) Bar Capacity	套筒行程(mm) Sleeve Stroke	重量 ( kg ) Weight	最大容許推力 Max DB pull KN(kgf)	最大夾持力 Max clamping force ( kgf )	最高回轉速 Max R.P.M
CR26A4	A2-4	26	5	4.5	20 ( 2039 )	44 ( 4486 )	7,000
CR30A4	A2-4	30	5	4.1	20 ( 2039 )	44 ( 4486 )	7,000
CR42A5	A2-5	42	7	6.2	25 ( 2549 )	55 ( 5608 )	6,000
CR42A6	A2-6	42	7	8.2	25 ( 2549 )	55 ( 5608 )	6,000
CR52A6	A2-6	52	7	12.2	30 ( 3059 )	65 ( 6628 )	5,000
CR60A6	A2-6	60	7	13	30 ( 3059 )	65 ( 6628 )	5,000
CR80A8	A2-8	80	7	21	35 ( 3568 )	73 ( 7443 )	4,000

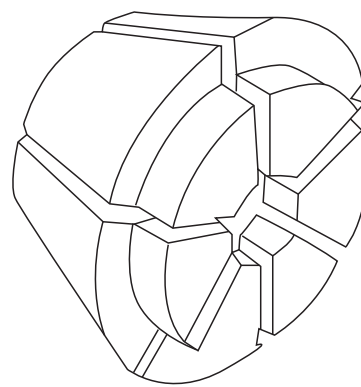
型式 Model	A	B	C	D	E	F	G	H	Jmax	k	N	P	T
CR26A4	112	103.5	85	30	82.55	63.513	M50 × P1.5	45	M40 × P1.5	15	21.7	3-M10	2.3
CR30A4	112	103.5	85	30	82.55	63.513	M50 × P1.5	45	M50 × P1.5	15	21.7	3-M10	2.3
CR42A5	135	124	100	27	104.78	82.563	M66 × P1.5	60	M55 × P2.0	25	27.4	4-M10	3.1
CR42A6	170	124	100	32	133.35	106.375	M66 × P1.5	66	M60 × P2.0	22	27.4	4-M12	3.1
CR52A6	170	144	130	27	133.35	106.375	M90 × P1.5	80	M60 × P2.0	30	29.9	4-M12	3.1
CR60A6	170	145	130	27	133.35	106.375	M90 × P1.5	80	M74 × P2.0	30	29.9	4-M12	3.1
CR80A8	220	170	156	35	171.45	139.719	M114 × P2.0	99	M90 × P2.0	27.5	32.4	6-M16	6.1

\* 保留技術更改的權利，恕不另行通知 Subject to technology changes without prior information  
 \* 非標需求可訂做 Non-standard requirements can be made





Spring Collet



Multi-Bore Collet

### 夾持範圍 / Clamping range

CHUCK		MULTIBORE			SPRING COLLET			
NO.	CAT.NO.	○	◇	□	CAT.NO.	○	◇	□
CR26	M-667	26	22	18	161E/8744	30	26	18
CR30	M-669	30	26	21	163E/4249	30	26	21
CR42	M-673	42	36	30	173E/4728	42	36	30
CR60	M-677	60	52	42	185E/4291	60	52	42
CR80	J-660	80	69	56	193E/H-47	80	69	56

\* 保留技術更改的權利，恕不另行通知 Subject to technology changes without prior information  
 \* 非標需求可訂做 Non-standard requirements can be made