

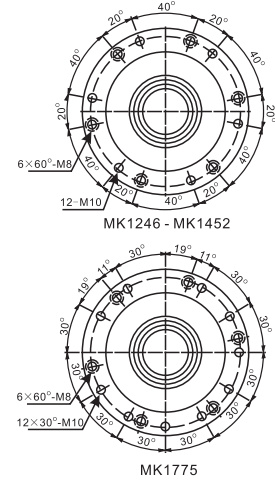
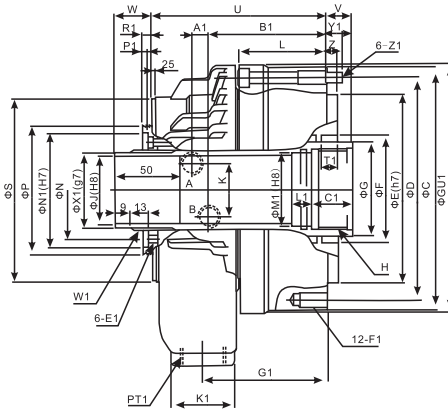
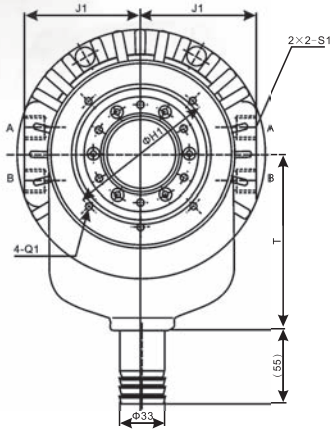
> MK SERIES

超高速薄型中空回轉油壓缸



HIGH SPEED AND SHORT THROUGH HOLE ROTARY HYDRAULIC CYLINDER

- ◎ 1.小型輕量：長度縮短30%，高速旋轉時的性能更穩定，減輕主軸的負載。
- ◎ 2.安全構造，內附逆止開機構，確保異常斷電時，壓力立即保持。
- ◎ 3.新形式，安裝時可由對方以螺絲固鎖。
- ◎ The compact hydraulic cylinder which is shorten the length about 30% and light weight can reduce the spindle loading while running in high speed.
- ◎ Built-in check valve in safety auto lock and pressure relief valve in case of power failure occurs.
- ◎ New model developed for rear locking installation.



型式 Model	活塞直徑 Piston Dia (mm)	活塞面積 Eff.piston area cm ²		柱塞行程 Piston stroke (mm)	最大拉杆推力 Max DB pull (kgf)		最大使用油壓力 Max oil pressure (kgf/cm ²)	最高回轉速 Max R.P.M	慣性矩 kg·m ²	總流量 Total Leakage (l/min)	重量 Weight (kg)
		推側Push (cm ²)	拉側Pull (cm ²)		推側KN (kgf)	拉側KN (kgf)					
MK-1246	128	102.6	91.4	16	43.6(4466)	38.9(3967)	4.5(45.9)	8000	0.017	3.1	8.6
MK-1452	145	133	122.6	22	26.5(5761)	52.1(5313)	4.5(45.9)	6500	0.028	3.9	12
MK-1775	170	166	152	25	70.7(7209)	64.7(6587)	4.5(45.9)	5500	0.060	4.5	17.8

型式 Model	C	D	E	F	G	H	J	K	L	N	P	S	T	U	V max	V min	W max	W min	Z
MK-1246	162	147	130	75	65	M55×2.0	46	40	58	64	85	116	120	120	13	-3	44	28	8
MK-1452	184	165	140	80	70	M60×2.0	52	40	66	72	96	135	130	130	19	-3	47	25	8
MK-1775	212	195	160	105	90	M85×2.0	75	46	71	98	121	164	160	157	22	-3	50	25	8

型式 Model	A1	B1	C1	E1	F1	G1	H1	J1	K1	L1	M1	M1	N1	P1	Q1	R1	S1	T1	U1	W1	X1	Y1	Z1
MK-1246	8.5	79.5	25	M6×10L	M10×20L	84	98	76	47	15	50	50	76	4	M5×6L	9	PT3/8	12	165	M52×1.5	50	15	M8
MK-1452	9	88	30	M6×7L	M10×20L	93	110	86	47	15	55	55	85	4	M6×6L	7	PT3/8	12	184	M58×1.5	56	12	M8
MK-1775	17.5	99	30	M6×13L	M10×20L	110	155	100	47	15	80	80	108	4	M6×10L	7	PT1/2	12	216	M84×2.0	81	18	M10

* 保留技術更改的權利，恕不另行通知 Subject to technology changes without prior information
 * 非標需求可訂做 Non-standard requirements can be made

