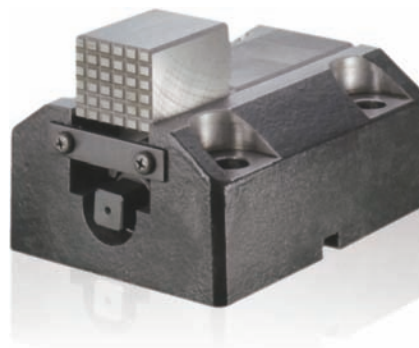


## > HB4 SERIES

### 強力置爪

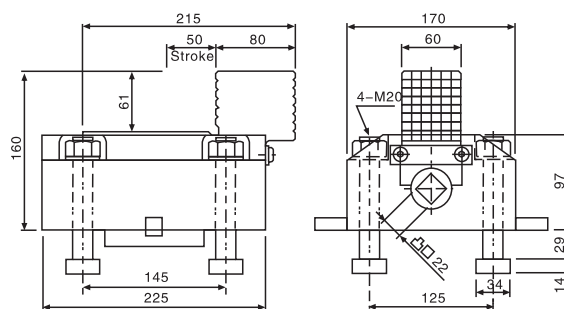
#### BORING MILL JAWS

- ◎ 1.適用於巨型車床、立式車床、模治具與工作物得夾持。
- ◎ 2.四個一組附T型螺栓。
- ◎ Clamping of workpiece for larger size lathe, vertical lathe, die set with jig.
- ◎ One set of 4-piece with T-bolt.



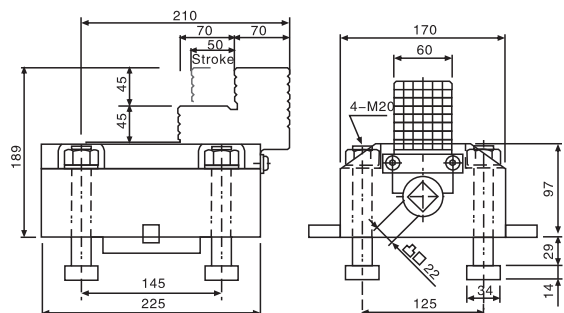
#### HB4-160 規格:

柱塞行程Piston stroke ( mm )	50
夾持力 Clamping force ( KN )	39.2
重量Weight ( kg )	29



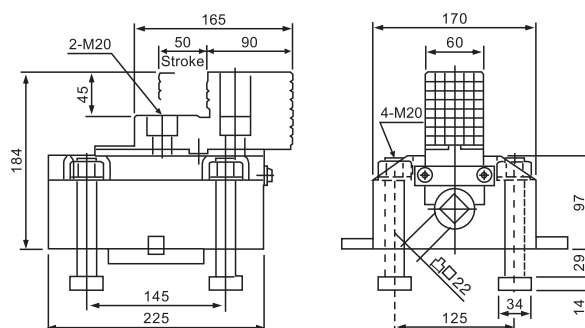
#### HB4-189 規格:

柱塞行程Piston stroke ( mm )	50
夾持力 Clamping force ( KN )	39.2
重量Weight ( kg )	31



#### HB4-2P 規格:

爪行程Jaws stroke (mm)	50
最大夾持力Max Force(kN)	39.2
重量Weight(kg)	31
適合生爪 Matched Jaws	HE2486



\* 保留技術更改的權利，恕不另行通知 Subject to technology changes without prior information  
 \* 非標需求可訂做 Non-standard requirements can be made