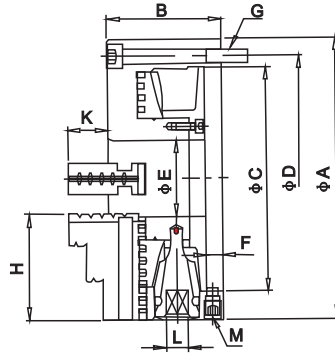
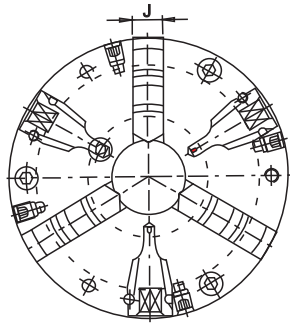


可調式普通型三爪鋼殼夾頭

DIN6350 3DACT 3-JAW ADJUSTMENT STEEL BODY SCROLL CHUCKS



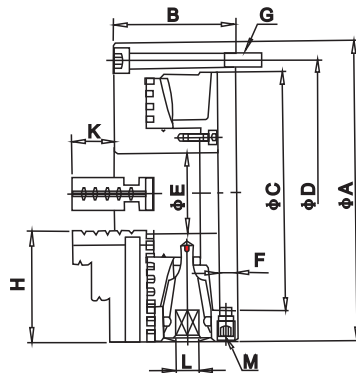
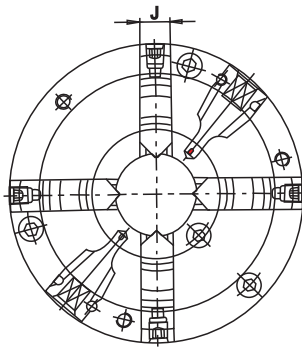
規格 / Specification

型式/規格 MODEL /SPEC.	A	B	C	D	E	G	F	H	J	K	M	L	最高迴轉速 Max.Speed r.p.m.(min ⁻¹)	把握範圍 Max 外徑把握 OD Clamping	Gripping Diameter 內徑把握 ID Clamping
3DACT-04	100	60	70	83	20	3-M8x1.25P	10	42	14	17	4-M8x1.25P	8	5200	Ø3-Ø95	Ø30-Ø83
3DACT-05	125	65	95	108	32	3-M8x1.25P	10.5	50	16	20	4-M10x1.5P	8	4800	Ø3-Ø160	Ø35-Ø111
3DACT-06	160	72.5	125	140	42	3-M10x1.5P	12	65	19	23	4-M12x1.75P	10	4200	Ø4-Ø160	Ø46-Ø155
3DACT-08	200	82.5	160	176	55	3-M10x1.5P	12	75	22	28	4-M12x1.75P	11	3500	Ø4-Ø197	Ø51-Ø184
3DACT-10	250	91	200	224	76	3-M12x1.75P	13	98	28	38.5	4-M12x1.75P	12	2600	Ø6-Ø267	Ø70-Ø252
3DACT-12	315	103	260	286	103	3-M16x2P	14	110	30	44.5	4-M12x1.75P	14	2200	Ø10-Ø325	Ø81-Ø308
3DACT-15	400	122	330	362	136	3-M16x2P	15	146	40	56	4-M12x1.75P	17	1600	Ø14-Ø428	Ø106-Ø410

單位/UNIT:mm

可調式普通型四爪鋼殼夾頭

DIN6350 4DACT 4-JAW ADJUSTMENT STEEL BODY SCROLL CHUCKS



規格 / Specification

型式/規格 MODEL /SPEC.	A	B	C	D	E	G	F	H	J	K	M	L	最高迴轉速 Max.Speed r.p.m.(min ⁻¹)	把握範圍 Max 外徑把握 OD Clamping	Gripping Diameter 內徑把握 ID Clamping
4DACT-08	200	82.5	160	176	55	3-M10x1.5P	12	75	22	28	4-M12x1.75P	11	3500	Ø4-Ø197	Ø51-Ø184
4DACT-10	250	91	200	224	76	3-M12x1.75P	13	98	28	38.5	4-M12x1.75P	12	2600	Ø6-Ø267	Ø70-Ø252
4DACT-12	315	103	260	286	103	3-M16x2P	14	110	30	44.5	4-M12x1.75P	14	2200	Ø10-Ø325	Ø81-Ø308
4DACT-15	400	122	330	362	136	3-M16x2P	15	146	40	56	4-M12x1.75P	17	1600	Ø14-Ø428	Ø106-Ø410

單位/UNIT:mm