



TSC-9062 中负荷轻型回转顶针

MEDIUM DUTY LIGHT TYPE LIVE CENTER

适用：CNC 车床、高速车床及其他机床。

Application: CNC lathe, high speed lathe, other lathe machine

用途：适用长度 400mm 以内，轻量型车削加工。

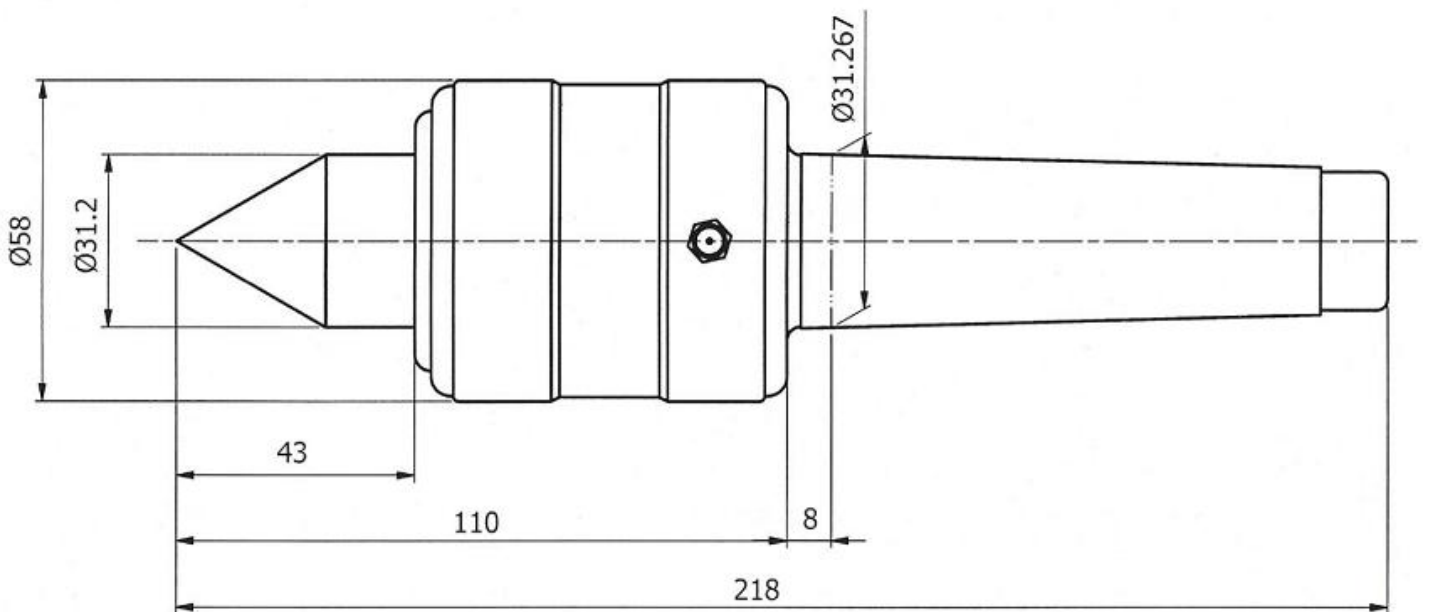
Working Usage: Applicable for the length less than 400mm and light turning process

另有尖部带钨钢的型号/There is a model with Tungsten tip : TSC-9062-TS14-4

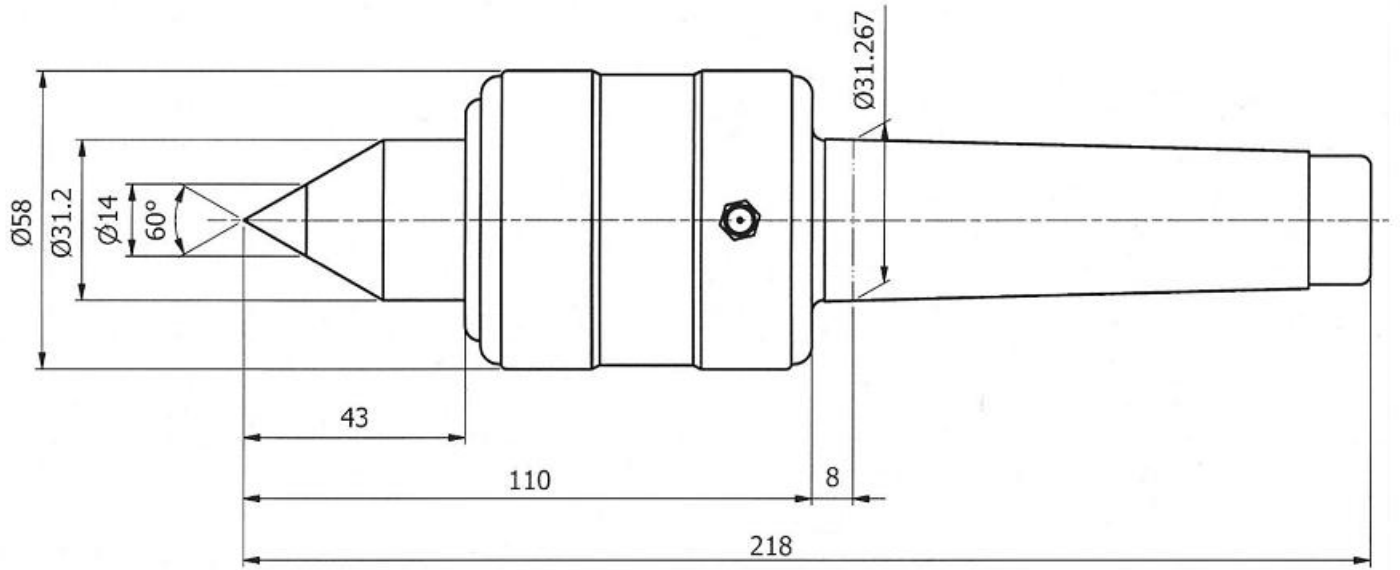
精度：0.005mm 以内

TIR: Less than 0.005mm

TSC-9062-4 规格图/Drawing



TSC-9062-TS14-4 规格图/Drawing



型式/规格 Model/Spec	莫氏锥柄 MT	轴承最高转数 Max. RPM	轴承径向力 (载重) Max. radial load	轴承轴向力 (推力) Max. axial thrust force
TSC-9062-4	31.267 (MT4)	3500	1000	1500
TSC-9062-TS14-4	31.267 (MT4)	3500	1000	1500

保留技术更改的权利,恕不另行通知 Subject to technology changes without prior information
 非标需求可定做 Non-standard requirements can be made