

# TSC-9061 尖部替换式中负荷轻型回转顶针

INTERCHANGEABLE MEDIUM DUTY LIGHT TYPE LIVE CENTER



适用：CNC 车床、高速车床及其他机床。

Application: CNC lathe and high speed lathe or other lathe machine.

用途：适用长度 400mm 以内，轻量型轴心车削加工。

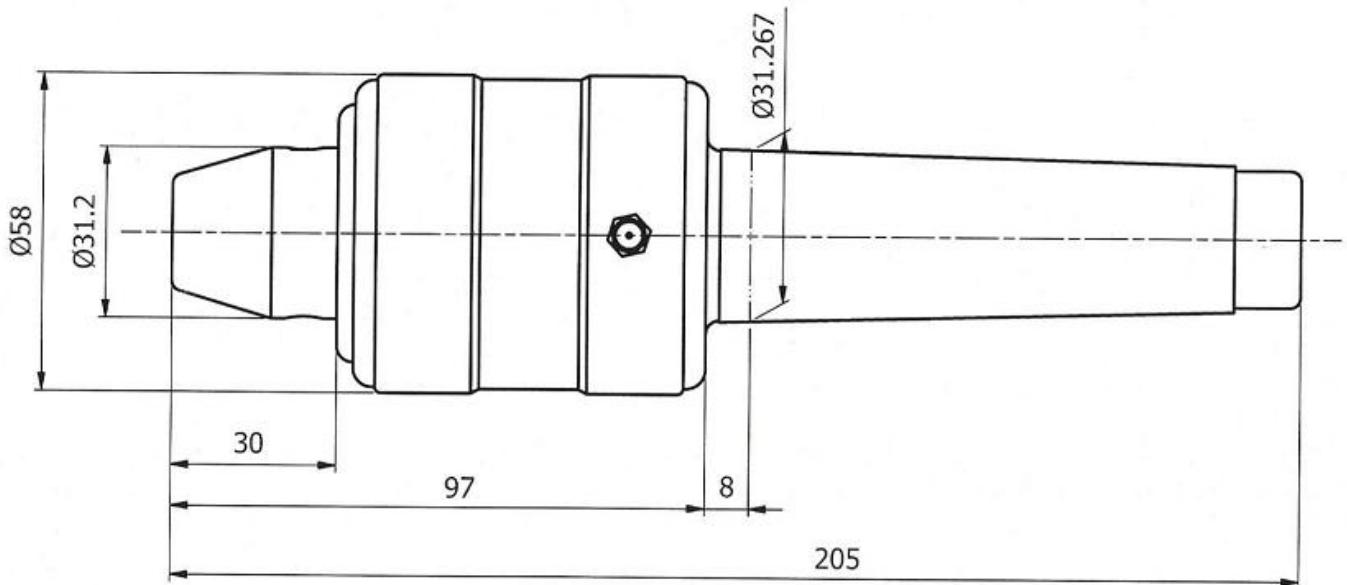
Working Usage: Applicable for the length less than 400mm, and light turning process.

配件：61 型中子、61 型冲子

Accessories: 61 type Tips and 61 type pin punch

精度：0.005mm 以内

TIR: Less than 0.005mm



| 型式/规格<br>Model/Spec | 莫氏锥柄<br>MT    | 轴承最高转数<br>Max. RPM | 轴承径向力 (载重)<br>Max. radial load | 轴承轴向力 (推力)<br>Max. axial thrust force |
|---------------------|---------------|--------------------|--------------------------------|---------------------------------------|
| TSC-9061-4          | 31.267 ( MT4) | 3500               | 1000                           | 1500                                  |

保留技术更改的权利,恕不另行通知 Subject to technology changes without prior information

非标需求可定做 Non-standard requirements can be made