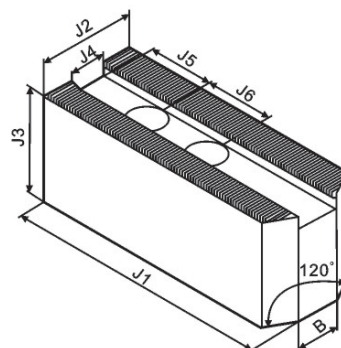
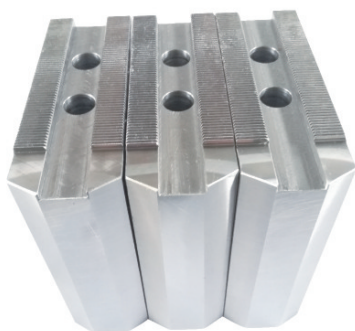


SC12 加高油壓軟爪(生爪)

SC12 EXTRA HEIGHT SOFT JAWS

FOR NON THROUGH CHUCK



齒距: 1.5mmx60°

Serration Pitch:1.5mmx60°

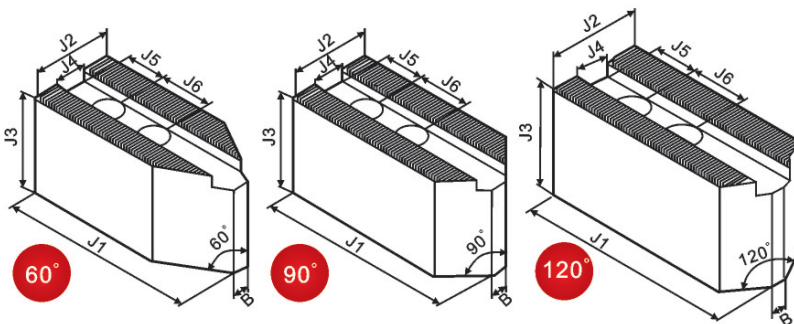
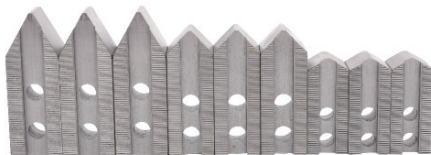
單位/UNIT:mm

型號 Model	重量/Weight kg/set	螺孔 Screw	尺寸/Size (mm)						
			J1	J2	J3	J4	J5	J6	B
SC12H60N	7.8	M14	129	50	60	18	39	30	20
SC12H70N	9.1				70				
SC12H80N	10.5				80				
SC12H90N	11.6				90				
SC12H100N	12.9				100				
SC12H110N	14.2				110				
SC12H120N	15.6				120				
SC12H130N	17.0				130				

SC12 尖角油壓軟爪(生爪)

SC12 POINTED SOFT JAWS

FOR NON THROUGH CHUCK



齒距: 1.5mmx60°

Serration Pitch:1.5mmx60°

單位/UNIT:mm

型號 Model	重量/Weight kg/set	螺孔 Screw	尺寸/Size (mm)						
			J1	J2	J3	J4	J5	J6	B
SC12H50NP	6.3	M14	129	50	50	18	25	30	6
SC12H60NP	7.5				60				
SC12H70NP	8.8				70				
SC12H80NP	10.1				80				
SC12H90NP	11.5				90				

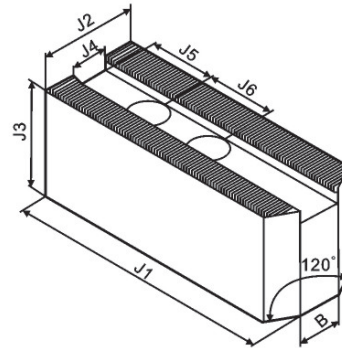
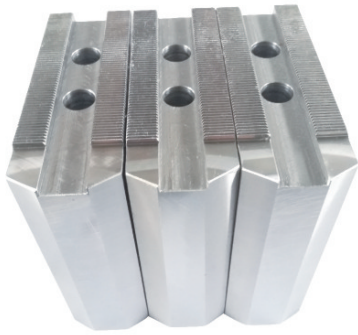
注: 尖角油壓軟爪有60°、90°、120°可供選擇; 非標可定做。

Option for pointed soft jaws: 60/90/120 angle degree or other special requirements; Customized spec can be made.

SC12加高油壓軟爪(生爪)

SC12 EXTRA HEIGHT SOFT JAWS

FOR THROUGH HOLE CHUCK



齒距: 1.5mmx60°

Serration Pitch: 1.5mmx60°

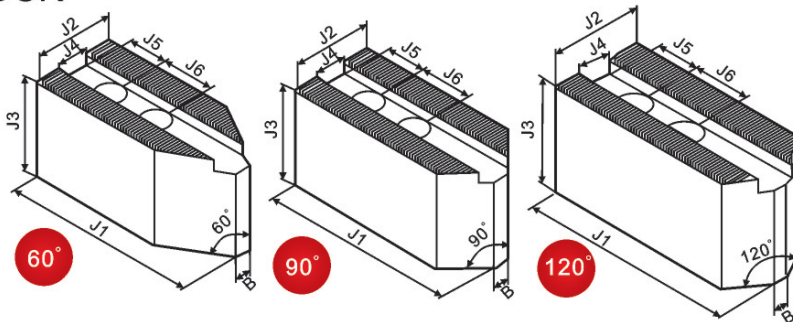
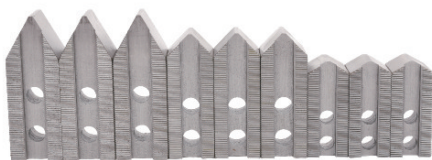
單位/UNIT:mm

型號 Model	重量/Weight kg/set	螺孔 Screw	尺寸/Size (mm)						
			J1	J2	J3	J4	J5	J6	B
SC12H60	7.5	M16	129	50	60	21	39	30	23
SC12H70	8.7				70				
SC12H80	10				80				
SC12H90	11.2				90				
SC12H100	12.5				100				
SC12H110	13.8				110				
SC12H120	15.2				120				
SC12H130	16.5				130				

SC12尖角油壓軟爪(生爪)

SC12 POINTED SOFT JAWS

FOR THROUGH HOLE CHUCK



齒距: 1.5mmx60°

Serration Pitch: 1.5mmx60°

單位/UNIT:mm

型號 Model	重量/Weight kg/set	螺孔 Screw	尺寸/Size (mm)						
			J1	J2	J3	J4	J5	J6	B
SC12H50P	6.0	M16	129	50	50	21	25	30	6
SC12H60P	7.2				60				
SC12H70P	8.4				70				
SC12H80P	9.5				80				
SC12H90P	11.0				90				

注: 尖角油壓軟爪有60°、90°、120°可供選擇; 非標可定做。

Option for pointed soft jaws: 60/90/120 angle degree or other special requirements; Customized spec can be made.

