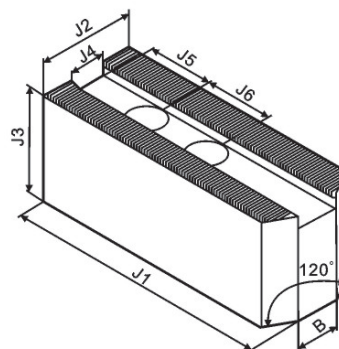
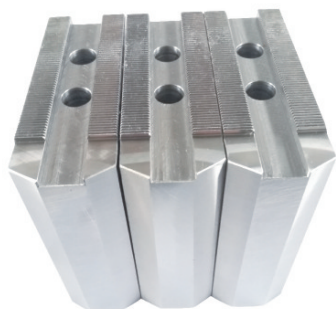


SC15 加高油壓軟爪(生爪)

SC15 EXTRA HEIGHT SOFT JAWS



齒距: 1.5mmx60°

Serration Pitch: 1.5mmx60°

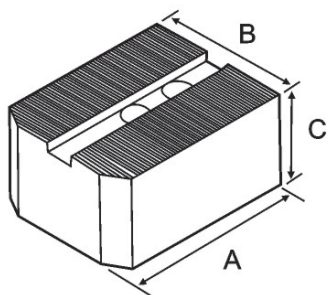
單位/UNIT:mm

型號 Model	重量/Weight kg/set	螺孔 Screw	尺寸/Size (mm)						
			J1	J2	J3	J4	J5	J6	B
SC15H80	16.1	M20	165	62	80	22 (25.5)	37	43	25
SC15H90	18.2				90				
SC15H100	20				100				
SC15H110	22.3				110				
SC15H120	25.0				120				
SC15H130	26.8				130				
SC15H140	28.5				140				
SC15H150	30				150				

注: 非標可定做 Customized spec can be made.

加寬軟爪

EXTRA-WIDTH SOFT JAWS



型号/规格 Model/Spec	长 Length A	宽 Weight B	高 Height C	齿距 Serration
SC0603048	73	48	30	1.5*60°
SC0603060	73	60	30	1.5*60°
SC0603080	73	80	30	1.5*60°
SC0604848	73	48	48	1.5*60°
SC0604863	73	63	48	1.5*60°
SC0606060	73	60	60	1.5*60°
SC0803648	95	48	36	1.5*60°
SC0803663	95	63	36	1.5*60°
SC0803680	95	80	36	1.5*60°
SC0804848	95	48	48	1.5*60°
SC0804873	95	73	48	1.5*60°
SC0804890	95	90	48	1.5*60°
SC0806363	95	63	63	1.5*60°
SC0807373	95	73	73	1.5*60°
SC0808383	95	83	83	1.5*60°
SC1004263	110	63	42	1.5*60°
SC10042100	110	100	42	1.5*60°
SC1004873	110	73	48	1.5*60°
SC1006363	110	63	63	1.5*60°
SC1007373	110	73	73	1.5*60°
SC1008383	110	83	83	1.5*60°

注: 非標可定做 Customized spec can be made.