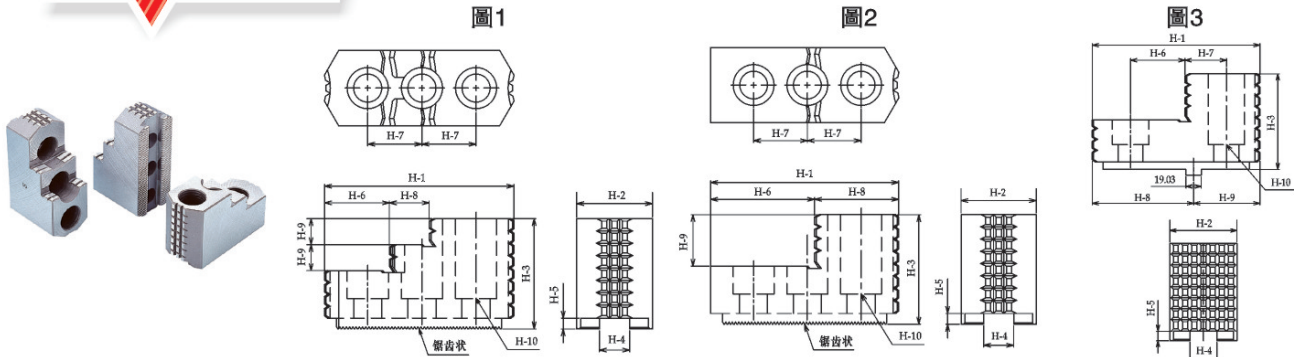


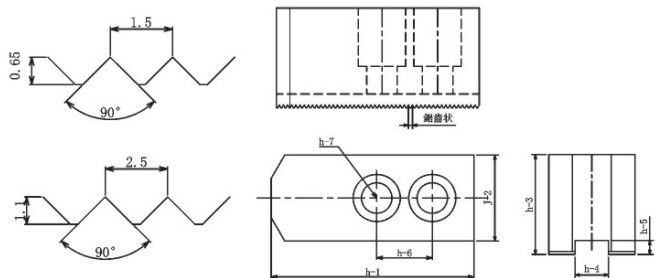
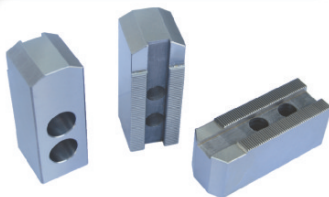
## 油壓硬爪

## HARD JAWS FOR HYDRAULIC CHUCK



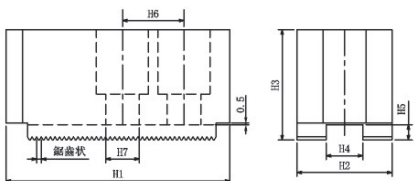
SPEC. MODEL	H-1	H-2	H-3	H-4	H-5	H-6	H-7	H-8	H-9	H-10	Serration Pitch	Gross Weight(kg)	參考圖 Ref
HJ-05	53	23	28	10	4	30.5	14	22.5	10	M8	1.5×60°	0.4	
HJ-06	67	31	36	12	5	39	20	28	12	M10	1.5×60°	0.95	圖2 Fig2
HJ-06-3	67	31	49	12	5	18	20	19	12	M10	1.5×60°	1	
HJ-08	86	35	51	14	5	31	25	18	12	M12	1.5×60°	1.95	圖1 Fig1
HJ-10	100	40	54	16	5	43	30	17	14	M12	1.5×60°	2.85	
HJ-12	103	50	52	21(18)	5	69.5	30	43.5	20	M16(M14)	1.5×60°	3.9	圖2 Fig2
HJ-12-3	103	50	66	21(18)	5	36	30	32	15	M16(M14)	1.5×60°	4.2	
HJ-15(18)	149	62	86	22(25.5)	(8)5	55	43	38	20	M20	1.5×60°	9.45	圖1 Fig1
HJ-15-1	149	62	86	26	8	55	43	38	20	M20	3.0×60°	9.45	
HJ-24(21)	159.5	80	90	25	9	104.5	50	55	40	M20	3.0×60°	14.3	圖2 Fig2
HJ-32	159.5	80	90	25	9	104.5	50	55	40	M20	3.0×60°	14.3	
HJ-40(50)	223	85	117	30	7	72.6	38.1	140	83	M24			圖3 Fig3
HJ-63(79)	223	110	117	30	7	72.6	38.1	140	83	M24			

## K51卡盤軟爪



規格/尺寸 SPEC/SIZE	長 Length h-1	寬 Width h-2	高 Height h-3	鍵槽寬 Slot width h-4	鍵槽深 Slot depth h-5	中心孔距 Hole center distance h-6	螺絲 Screw h-7	齒距裝飾距 Serration pitch
CH-06(160)	62	35	38	11	4.5	20	M10	1.5×90°
CH-08(200)	80	40	45	13	4.5	24	M12	1.5×90°
CH-10(250)	100	45	52	15	4.5	28	M12	1.5×90°
CH-12(320)	115	50	62	18	4.5	32	M16	2.5×90°
CH-15(400)	140	50	75	20	6	45	M16	2.5×90°
CH-20(500)	160	55	85	22	6	50	M16	2.5×90°
CH-24(630)	190	60	100	26	6	55	M20	2.5×90°

## CT卡盤軟爪



規格D size	H <sub>1</sub>	H <sub>2</sub>	H <sub>3</sub>	H <sub>4</sub>	H <sub>5</sub>	齒距裝飾距 Serration pitch	H <sub>6</sub>	H <sub>7</sub>
200	85	40	45	16	4	1/16"×90°	24	2-13
320	118	50	62	21	4	3/32"×90°	32	2-17
400	140	50	75	22	5.5	3/32"×90°	45	2-17
500	160	75	75	26	5.5	3/32"×90°	38	2-22
630	160	75	75	26	5.5	3/32"×90°	38	2-22
800	160	75	75	26	5.5	3/32"×90°	38	2-22
1000	200	85	110	30	9		100	2-26
1250	200	85	110	30	9		100	2-26

注：非標可定做 Customized spec can be made.