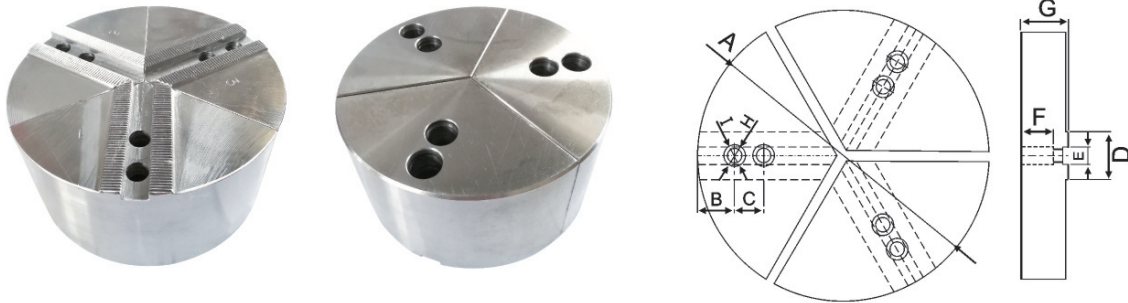


加高扇形全包軟爪

HIGHER FULL GRIP PIE JAWS



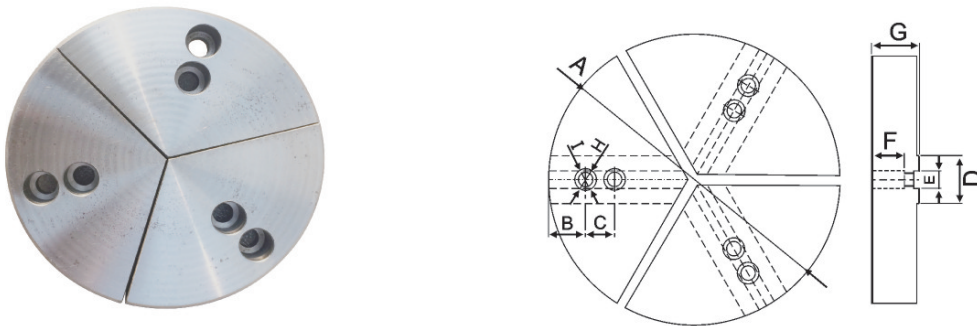
齒距: 1.5mmx60° Serration Pitch:1.5mmx60°

單位/UNIT:mm

MODEL SPEC (mm)	A	B	C	D	E	F	G	H	I
PJ-05H	130	10	14	25	10	28/38/48	40/50/60	13.5	9
PJ-06H	160	15	20	31	12	25/35/45	40/50/60	17	11
PJ-08H	200	24	25	35	14	34/44/54	50/60/70	19	13
PJ-10H	240	25	30	42	16	44/54/64	60/70/80	19	13
PJ-12H	290	35	30	50	21/18	40/50/60	60/70/80	25/23	17/15
PJ-15H	370	37	43	62	22/25.5	46/56/66	70/80/90	32	21

標準扇形全包軟爪

STANDARD FULL GRIP PIE JAWS



齒距: 1.5mmx60° Serration Pitch:1.5mmx60°

Model/Spec (mm)	A	B	C	D	E	F	G	H	I	GW KG
PJ-05	130	10	14	25	10	18	30	13.5	9	3.6
PJ-06	160	15	20	31	12	21	36	17	11	4.9
PJ-08	200	24	25	35	14	22	38	19	13	10.6
PJ-10	240	25	30	42	16	26	42	19	13	13.6
PJ-12	290	35	30	50	21/18	30	50	25/23	17/15	23.8
PJ-15	370	37	43	62	22/25.5	38	62	32	21	45.8

注: 非標可定做 Customized spec can be made.

