

JAH精密高速空壓夾頭

JAH PRECISION HIGH-SPEED PNEUMATIC CHUCK



- ◎ 熱處理鋼一體成型之結構體, 軸承無負荷, 轉速高、壽命長、溫升低。
- ◎ 雙向作動力, 強制開啓筒夾、決不卡料。氣源中斷時, 夾頭呈自鎖狀態。
- ◎ 直接法蘭連接于主軸, 安裝方便快捷, 通過三點組合氣閥可連接機床系統控制。
- ◎ 本體精度0.005mm以內, 可調節夾持精度在0.005以內。

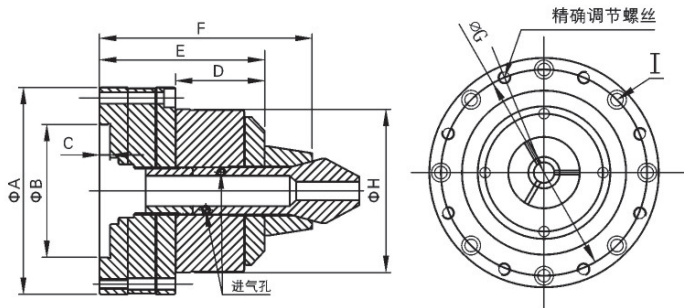
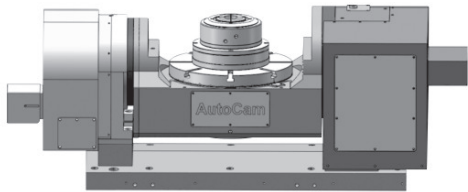
Having an integral structure made of heat-treated steel, no load at the bearing, high speed, long service life, low temperature rise.

With two-way acting force, allowing forcibly opening the collet, no material jamming; the chuck being self-locked in cases of air source failure.

Direct connection between flange and spindle, easy and quick installation, connecting the machine tool system control through the three-point air valve.

Allowing quick change of the collet to facilitate product replacement without backward movement of collet while the working length can be controlled normally.

With a body accuracy within 0.005mm and adjustable clamping accuracy within 0.005mm.



型式 Model	A	B	C	D	E	F	G	H	I	最高轉速 Maximum Speed rpm/min	活塞行程 Piston Stroke mm
JAH-20	109	70	5.5	47	87	112	98	86	8-M5沉頭	3000	3
JAH-25	109	70	5.5	47	87	112	98	86	8-M5沉頭	3000	3
JAH-32	140	100	5.5	53	93	107	126	98	6-M6沉頭	3000	3

型式 Model	夾持行程 Clamping Stroke mm	最大扭力 Maximum Torque N.m	驅動方式 Drive Mode	夾持範圍 Clamping Range kg/cm ²	使用筒夾 Collet	重量 Weight kg	使用壓力 Working Pressure kg/cm ²	夾緊方式 Clamping Method
JAH-20	0.2	12	空壓 Pneumatic	Φ3-14	W20	5.5	3-8	后拉 Pull
JAH-25	0.2	15	空壓 Pneumatic	Φ5-19	W25	6.5	3-8	后拉 Pull
JAH-32	0.2	20	空壓 Pneumatic	Φ5-25	W31.75	8.5	3-8	后拉 Pull

