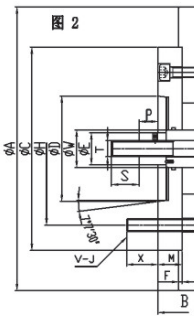
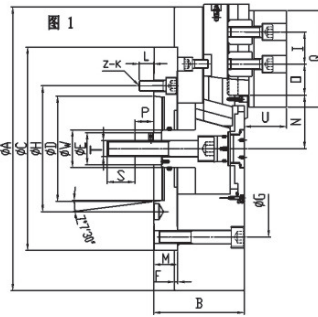
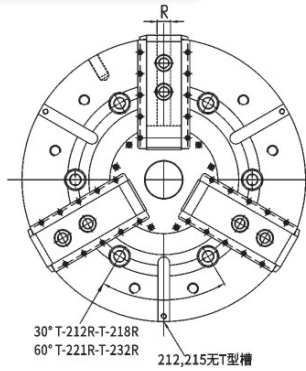
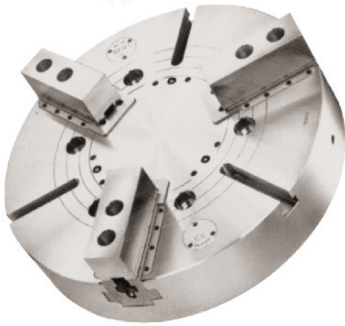


> T-R SERIES

三爪中實油壓夾頭

3-JAW SOLID POWER CHUCKS



- ◎ T-R系列立車卡盤適用於立式車床，盤體端面有密封，可防止鐵屑、切削水進入卡盤內部，延長卡盤的使用壽命，還可根據用戶特殊要求進行三、四、六爪的設計。法蘭盤也有密封，防止切削水進入機床主軸內，並可根據要求配各種形式的法蘭。
- ◎ The T-R series vertical lathe chuck is suitable for vertical lathes. The end face of the chuck body is sealed to prevent iron chips and cutting water from entering the chuck interior, extending the service life of the chuck. Three, four, and six claw designs can also be made according to user specific requirements. The flange also has a seal to prevent cutting water from entering the machine tool spindle, and can be adjusted according to requirements. Equipped with various forms of flanges.

規格 Spec 型號 Model	A	B	C	D	E	F	G	H	I	V-J	Z-K	L	M	N	
														MAX	MIN
T-212R A8	304	137	220	139.719	50	6	171.4	-	30	6-M16	-	-	36	62.5	57
T-215R A8	381	155	300	139.719	60	6	235	171.4	43	6-M20	6-M16	22	36	86.5	78.5
T-215R A11	381	155	300	196.869	60	6	235	-	43	6-M20	-	-	36	86.5	78.5
T-218R A8	450	155	300	139.719	60	6	235	171.4	43	6-M20	6-M16	22	36	86.5	78.5
T-218R A11	450	155	300	196.869	60	6	235	-	43	6-M20	-	-	36	86.5	78.5
T-221R A11	530	169	380	196.869	60	6	330.2	235	60	6-M24	6-M20	27	45	100	91.2
T-224R A11	610	171	380	196.869	60	6	330.2	235	60	6-M24	6-M20	27	45	107	96.9
T-232R A11	810	174	380	196.869	60	6	330.2	235	60	6-M24	6-M20	27	45	117	107.7

規格 Spec 型號 Model	O		O		Q	R	S	T	U	W	X	梳齒 Tooth Comb	參考圖 Reference Image
	MAX	MIN	MAX	MIN									
T-212R A8	47.8	18	78	52	130	21	35	M20	57	70	23	1.5×60°	圖2
T-215R A8	44	23	71	36	165	25.5	55	M30	70	60	-	1.5×60°	圖1
T-215R A11	44	23	82	47	165	25.5	54	M30	70	60	34	1.5×60°	圖2
T-218R A8	78.5	23	59	24	165	25.5	57	M30	70	60	-	1.5×60°	圖1
T-218R A11	78.5	23	71	36	165	25.5	55	M30	70	60	33	1.5×60°	圖2
T-221R A11	87	30	68	35	180	25	52	M30	78	70	-	3.0×60°	圖1
T-224R A11	119	30	73	35	180	25	42	M30	78	70	-	3.0×60°	圖1
T-232R A11	212	33	47	12	225	25	55	M30	101	70	-	3.0×60°	圖1

規格 Spec 型號 Model	楔心套行程 Plunger stroke (mm)	卡爪行程(直徑) Jaw stroke(Dia.) mm	最大推拉力 Maximum push and pull force (KN)	最大夾緊力 Maximum clamping force (KN)	最高轉速 Maximum speed (r.p.m)	配用油缸 Equipped with oil cylinder (mm)
T-212R A8	26	11	50	120	3300	S-150R
T-215R A8	35	16	80	200	2800	S-200R
T-215R A11	35	16	80	200	2800	S-200R
T-218R A8	35	16	80	200	2500	S-200R
T-218R A11	35	16	80	200	2500	S-200R
T-221R A11	33	17.6	90	225	1200	S-200R
T-224R A11	38	20.3	90	225	1000	S-200R
T-232R A11	35	18.7	90	225	800	S-200R

* 保留技術更改的權利，恕不另行通知 Subject to technology changes without prior information
* 非標需求可訂做 Non-standard requirements can be made

