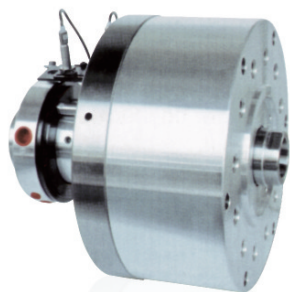


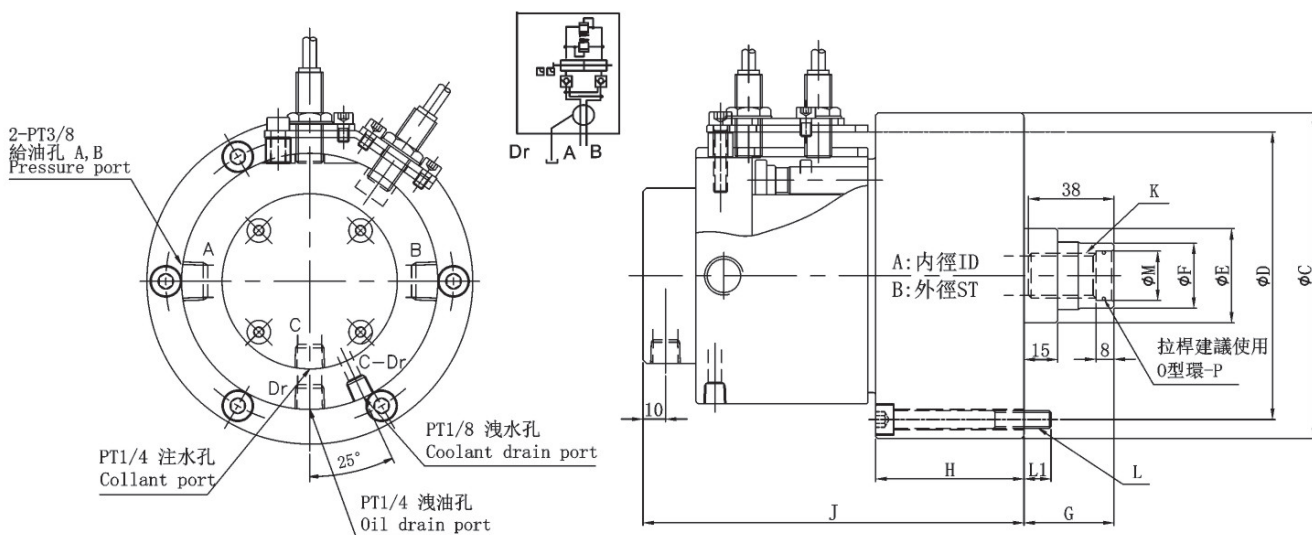
> SLANE SERIES

精短整合型注氣回轉油壓缸(一)

COMPACT STYLE HYDRAULIC CYLINDER WITH AIR CONNECTION AND SAFETY DEVICE



- ◎ 高速，輕量整合型注氣回轉油壓缸，可經由後端回轉繼手供給空氣內建逆止閥自鎖機構，泄壓閥及行程控制近接開關。
- ◎ 安裝時可由後端鎖固之。
- ◎ 泄油孔配管務必單獨接回油壓槽，以避免產生背壓。
- ◎ 使用時，請混入微量的油霧。
- ◎ For short form, light weight and high speed rotary cylinder. To allow compressed air to be feed from the rear end of the distributor through the rotating union.
- ◎ Built-in safety check valves, pressure relief valves and proximity sensor.
- ◎ Can screw it from the rear end of the cylinder when mounting.
- ◎ The drain port should be independently connected to oil tank to avoid back pressure.
- ◎ When used, a little oil mist should be contained.



型號 Model	活塞面積壓側 Eff. piston area cm ² Extend	活塞面積拉側 Eff. piston area cm ² Retract	行程 (mm) Piston stroke	最高回轉速 max r.p.m	最大使用壓力 Max. Operating Pressure MPa(kgf / cm ²)	注氣部最高使用壓力 Air connection max. pressure Mpa (kgf/cm ²)	慣性矩 kg·m ²	重量 Weight (kg)
SLAN-E110	91.2	87.9	20	6000	4.0(40)	0.8(8)	0.02	6.9
SLAN-E120	109.3	106	21	6000	4.0(40)	0.8(8)	0.02	8.8
SLAN-E130	128.9	123.1	30	6000	4.0(40)	0.8(8)	0.03	9.1

型號 Model	A	B	C h7	D	E	F	G max	G min	H	J	K	L	L1	M H8	N	P
SLAN-E110	110	20	145	128	42	29	60	40	66	146	M20x2.5	6~M8x70	12	22	38	S20
SLAN-E120	120	21	168	145	42	29	60	39	69.5	148	M20x2.5	6~M10x75	17	22	38	S20
SLAN-E130	130	30	168	150	50	33	60	30	79.5	158	M24x3.0	6~M10x85	17	27	43	S24

* 保留技術更改的權利，恕不另行通知 Subject to technology changes without prior information
 * 非標需求可訂做 Non-standard requirements can be made

