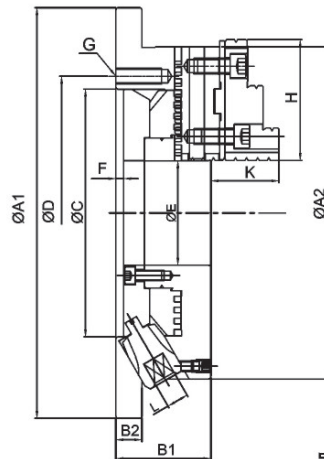
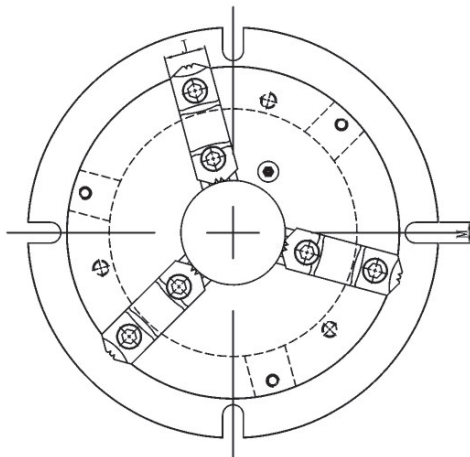
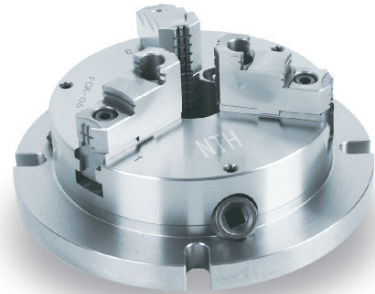


強力超薄型夾盤

STRONG AND ULTRA-THIN CLAMPING PLATE

- ◎ 把手和盤面成30°角，旋轉操作更便利。
- ◎ 薄型設計，可增加機械加工紙容許長度。
- ◎ 外徑成凸緣設計，裝卸容易。
- ◎ 強力型設計可共用生爪。
- ◎ The handle with an angle of 30 degrees is much convenient for operations.
- ◎ The "super thin thickness" design of chucks increase the "allowable distance" of machining operations.
- ◎ Chuck flange makes loading and unloading operations simpler and more convenient.
- ◎ Hard jaws and soft jaws can be used alternatively.



單位 / UNIT:mm

規格 Spec 型號 Model	A1	A2	B1	B2	C	D
FCK-06	220	170	58	18	130	147
FCK-08	270	210	66	20	155	172
FCK-10	315	255	73	20	190	210
FCK-12	370	305	80	22	250	285

規格 Spec 型號 Model	E	F	G	H	J	K
FCK-06	45	6	3-M10 × 1.5P	67	25	43.4
FCK-08	60	6	3-M10 × 1.5P	80	30	50
FCK-10	80	6	3-M12 × 1.75P	95	36	53.8
FCK-12	105	6	3-M12 × 1.75P	108	42	63.3

規格 Spec 型號 Model	L	M	把握範圍 Max. Gripping Diameter		淨重 Weight(kg)
			外徑把握 O.D. Clamping(mm)	內徑把握 I.D. Clamping(mm)	
FCK-06	11	13	Ø6-Ø160	Ø48-Ø150	10.6
FCK-08	11	13	Ø11-Ø200	Ø62-Ø190	18.1
FCK-10	14	16	Ø12-Ø250	Ø72-Ø240	27.9
FCK-12	14	16	Ø15-Ø300	Ø66-Ø290	42.9

* 保留技術更改的權利，恕不另行通知 Subject to technology changes without prior information
 * 非標需求可訂做 Non-standard requirements can be made

