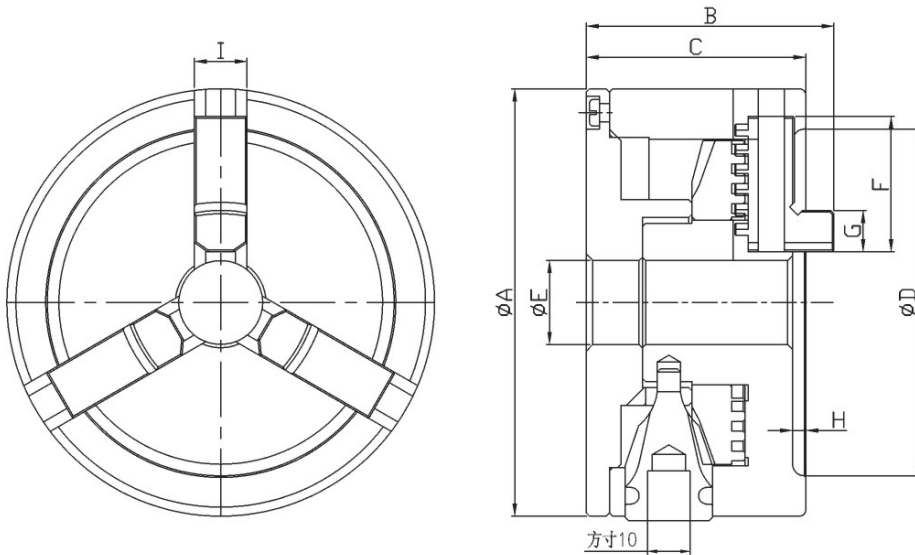


三爪自定心卡盤

THREE JAW SELF CENTERING CHUCK

- ◎ 汽車行業專用卡盤，用于各種汽車剎車殼的夾持加工。
- ◎ 自定心精度高，夾持範圍廣，重量輕。
- ◎ Special-purpose automobile chucks. Recommended specially for clamping and machining various
- ◎ With high self-centring precision, large clamping range and light weight.



規格 / Specification

單位/UNIT:mm

型號/規格 MODEL/SPEC	A	B	C	D	E	F	G	H	I	把握範圍 Max. Gripping Diameter	淨重 Weight (kg)
										內徑把握 I.D. Clamping(mm)	
SCA-130-1	129.5	75	66.5	105	25.4	41	12.5	4	16	50.4-90	4.8
SCA-130-2	129.5	75	66.5	105	25.4	41	12.5	4	16	88.5-130	4.9

