

> FRS SERIES

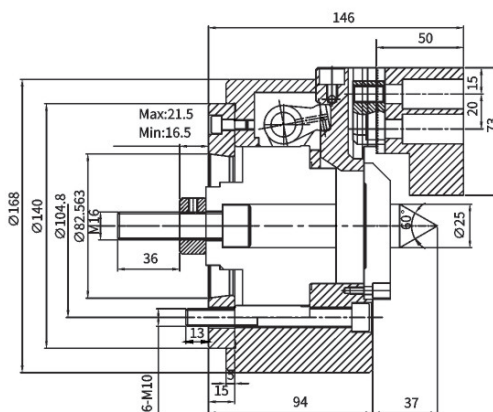
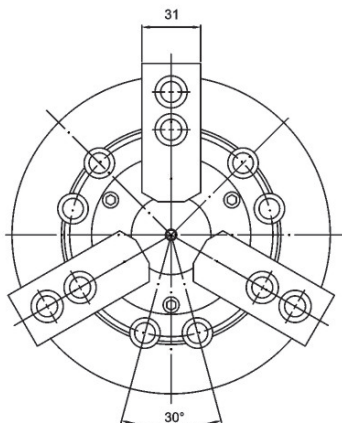
三爪齒式帶頂尖浮動卡盤



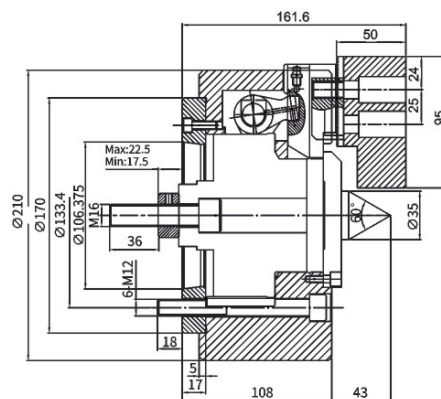
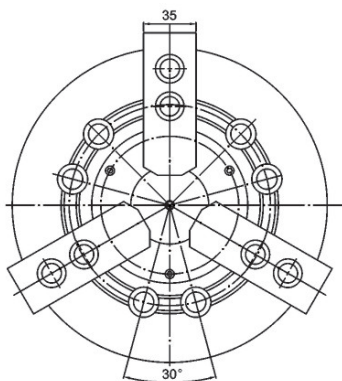
3 JAW SERRATION MODEL WITH CENTER FLOATING CHUCK

- ◎ FRS 3爪浮動卡盤的卡爪為齒式連接，便于調節卡爪夾持範圍。
- ◎ 適合對軸類工件，需兩端頂尖夾持的加工。
- ◎ 工件通過頂尖定心，重複夾持精度高。
- ◎ FRS 3 jaw with center floating power chuck, its jaws are serration connecting type, it's easy to adjust the jaws clamping range.
- ◎ It's suitable for shaft workpieces which need to be held by center from both two ends
- ◎ The workpiece center can be positioned by the center, so the repeating clamping accuracy is high.

FRS-06A5



FRS-08A6



規格 Spec 型號 Model	楔心行程 Plunger stroke (mm)	爪行程直徑 Jaw stroke (Dia) (mm)	最大夾持直徑 Max clamping dia (mm)	最小夾持直徑 Min clamping dia (mm)	容許油壓缸推力 Max.D.B.Pull KN(kgf)
FRS-06A5	5	6	160	25	17.1(2200)
FRS-08A6	5	7	200	25	34.3(3500)

規格 Spec 型號 Model	最大夾持力 Max. clamping force KN (Kgf)	最高轉速 Max RPM	重量 Weight (Kg)	適合油缸 Matching Cylinder	最大使用壓力 Max.pressure Mpa (Kg/cm ²)
FRS-06A5	35.8	3500	15.5	S-100	2.74(20)
FRS-08A6	60	3000	25.5	S-125	2.8(28)

* 保留技術更改的權利，恕不另行通知 Subject to technology changes without prior information
* 非標需求可訂做 Non-standard requirements can be made