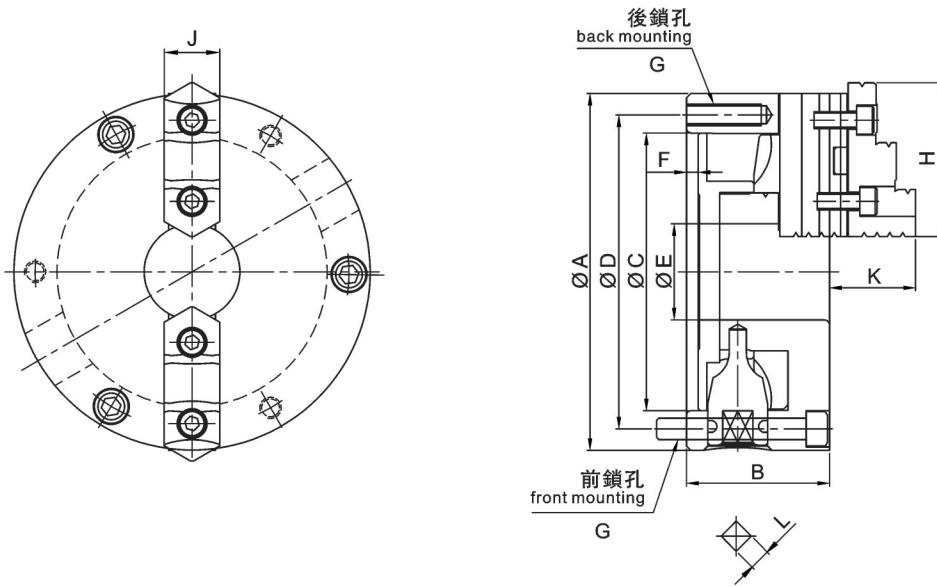
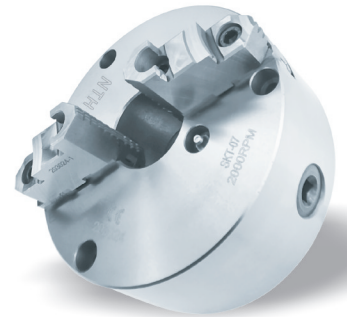


二爪強力式自定心卡盤(前後鎖通用)

SKT 2 JAW UNIVERSAL SCROLL CHUCK(FRONT AND BACK MOUNTING)

- | | |
|-------------|---|
| 1.直口連接 | 1.Plain back |
| 2.標配分離式硬爪一組 | 2.Standard accessories: 1 set two-piece hard jaws |
| 3.高精度重複夾持 | 3. High accuracy on repeating clamping |



規格 / Specification

單位 / UNIT:mm

型式/規格 Model/Spec	最大容許扭矩 Max. Allowable Torque N*m	最大靜夾持力 Max. Gripping Force KN	淨重 Weight Kg	最高轉速 RPM	夾持範圍外徑 O.D Clamping Range mm	夾持範圍內徑 I.D. Clamping Range mm
SKT-04*	44	12	3.1	2500	3-90	32-84
SKT-05*	63	15	4.4	2500	3-110	35-100
SKT-06	88	31	11.4	2000	8-160	55-150
SKT-07	107	31	12.2	2000	8-180	62-170
SKT-08	128	33	16.2	2000	8-180	62-170
SKT-09	147	37	21.2	2000	11-220	70-210
SKT-10	176	46	28	1800	12-260	80-250

型式/規格 Model/Spec	A	B	C	D	E	F	G	H	J	K	L
SKT-04*	112	58	80	95	24	4.5	3(4)-M8x1.25P	46.5	19	32	9
SKT-05*	132	60	100	115	32	4.5	3(4)-M8x1.25P	56	22	40	9
SKT-06	167	66	130	147	45	5	3-M10x1.5P	67	25	43	11
SKT-07	193	76	155	172	58	5	3-M10x1.5P	80	30	47	11
SKT-08	203	76	160	176	58	5	3-M10x1.5P	80	30	47	11
SKT-09	233	84	190	210	70	5.5	3-M12x1.75P	92	30	46	14
SKT-10	273	86	230	250	89	5.5	3-M12x1.75P	92	36	54	14

*注：前端連接螺絲為4個； Note: The front mounting bolts are 4pcs

* 保留技術更改的權利，恕不另行通知 Subject to technology changes without prior information

* 非標需求可訂做 Non-standard requirements can be made