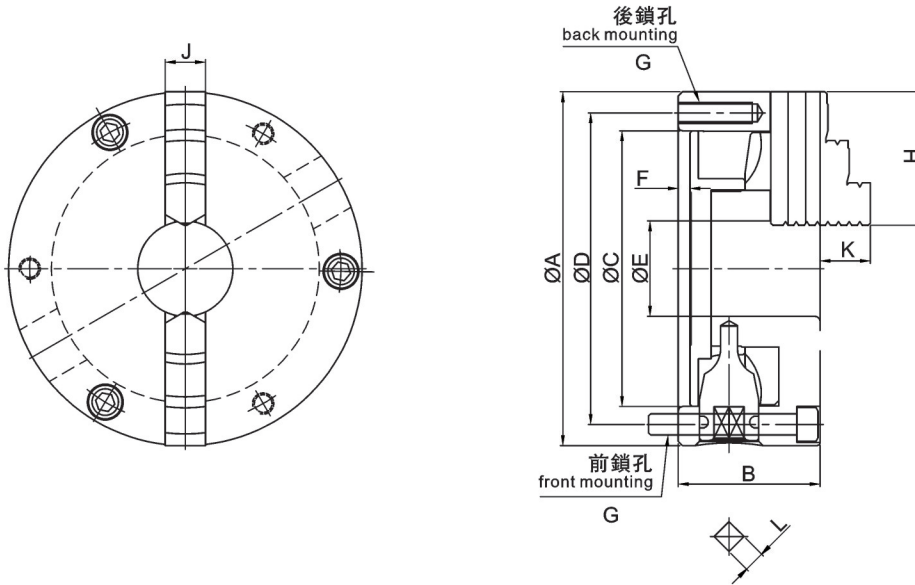


二爪自定心卡盤(前後鎖通用)

SCT 2 JAW SCROLL CHUCK(FRONT AND BACK MOUNTING)

- | | |
|---------------|--|
| 1.直口連接 | 1.Plain back |
| 2.標配一體式正反爪各一組 | 2.Standard accessories: 1 set outside solid jaws and 1 set inside solid jaws |
| 3.高精度重複夾持 | 3.High accuracy on repeating clamping |



規格 / Specification

單位 / UNIT:mm

型式/規格 Model/Spec	最大容許扭矩 Max. Allowable Torque N*m	最大靜夾持力 Max. Gripping Force KN	淨重 Weight Kg	最高轉速 RPM	夾持範圍外徑 O.D Clamping Range mm	夾持範圍內徑 I.D. Clamping Range mm
SCT-04*	44	12	3.1	2500	3-90	32-84
SCT-05*	63	15	4.4	2500	3-110	35-100
SCT-06	88	31	11.4	2000	3-160	48-150
SCT-07	107	31	12.2	2000	4-180	56-170
SCT-08	128	33	16.2	2000	4-180	56-170
SCT-09	147	37	21.2	2000	5-220	62-210
SCT-10	176	46	28	1800	6-260	70-250

型式/規格 Model/Spec	A	B	C	D	E	F	G	H	J	K	L
SCT-04*	112	58	80	95	24	4.5	3(4)-M8x1.25P	42	15	16	9
SCT-05*	132	60	100	115	32	4.5	3(4)-M8x1.25P	50	20	20	9
SCT-06	167	66	130	147	45	5	3-M10x1.5P	70	20	32	11
SCT-07	193	76	155	172	58	5	3-M10x1.5P	84	25	29	11
SCT-08	203	76	160	176	58	5	3-M10x1.5P	84	25	29	11
SCT-09	233	84	190	210	70	5.5	3-M12x1.75P	84	25	29	14
SCT-10	273	86	230	250	89	5.5	3-M12x1.75P	105	28	34	14

*注：前端連接螺絲為4個；Note: The front mounting bolts are 4pcs

*保留技術更改的權利，恕不另行通知 Subject to technology changes without prior information

*非標需求可訂做 Non-standard requirements can be made

